

Motic[®]
More Than Microscopy

BA50/80

Compact, yet powerful





Compact, yet powerful!

Small and compact in size, both the BA50 and BA80 are powerful student microscopes packed with features of larger and more expensive student microscopes.

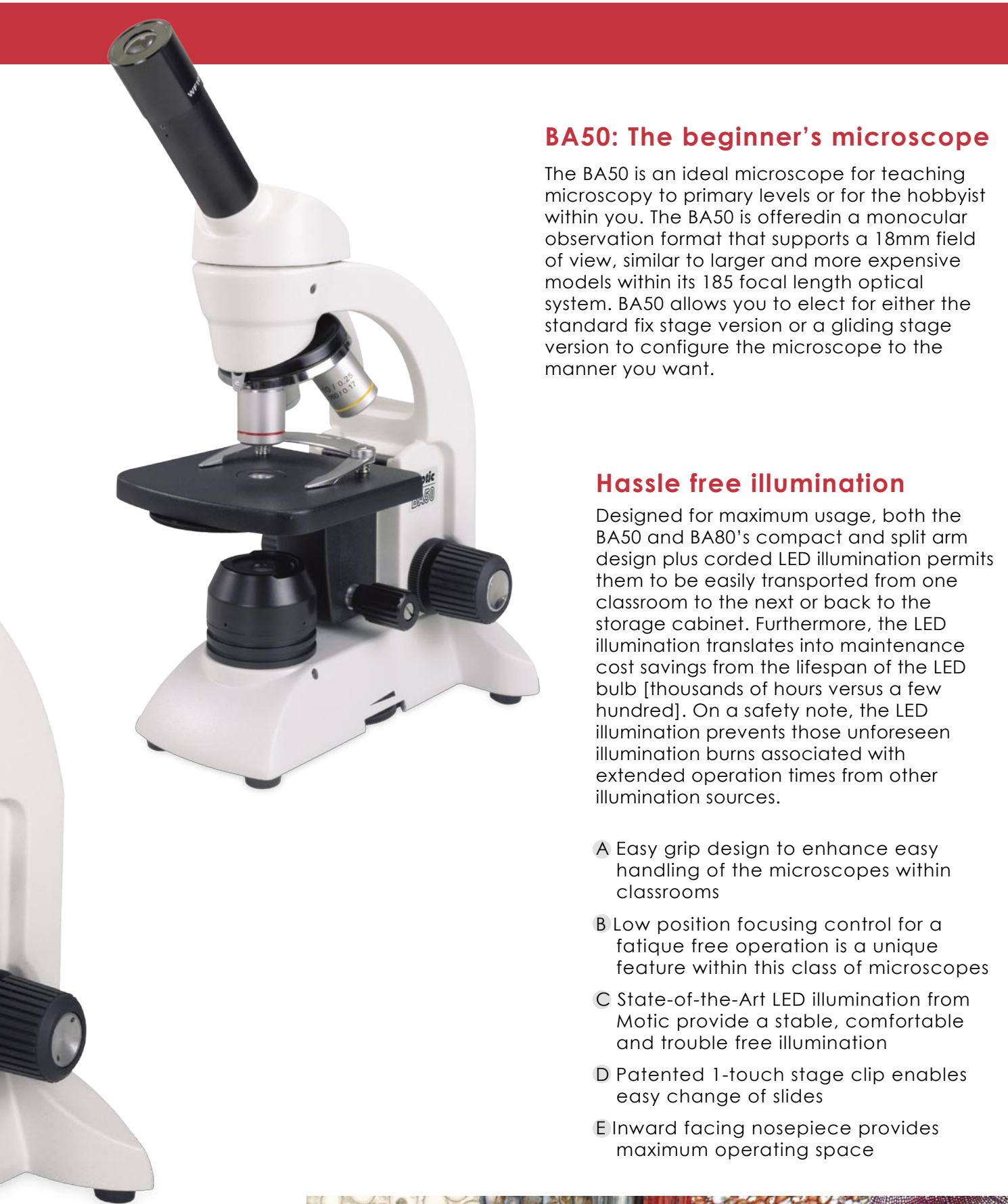


BA80: The upgrade

For those wanting a bit more flexibility and power, the BA80 is a standard DIN optical system with EA objectives and further choices on condensers [N.A.0.65 condenser with iris diaphragm and Abbe condenser with iris diaphragm]. The BA80 similar to the BA50 has a reversed nosepiece, but has an extra port to allow for the integration of a 100X objective. Furthermore, the BA80 is offered in an Abbe condenser version that combines the condenser with a low positioned mechanical stage for precision movement under 100X observation.

Fun and exciting versus tired and bored

Keeping the excitement in learning microscopy is more than just the sample you use or how you present it. One area overlooked for primary level microscopes is user comfort. Both the BA50 and BA80 are equipped standard with low positioned focus controls to prevent wrist strain and weariness of the user. Preventing the tired eyes syndrome [and reduction of bulb life], both models have a conveniently located illumination intensity control to adjust the LED illumination to the level needed by the sample.



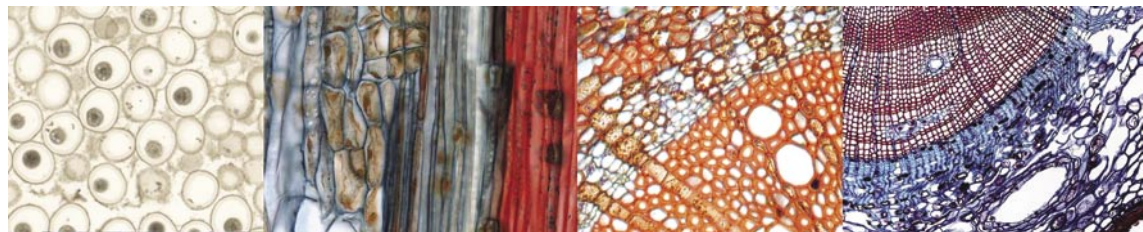
BA50: The beginner's microscope

The BA50 is an ideal microscope for teaching microscopy to primary levels or for the hobbyist within you. The BA50 is offered in a monocular observation format that supports a 18mm field of view, similar to larger and more expensive models within its 185 focal length optical system. BA50 allows you to elect for either the standard fix stage version or a gliding stage version to configure the microscope to the manner you want.

Hassle free illumination

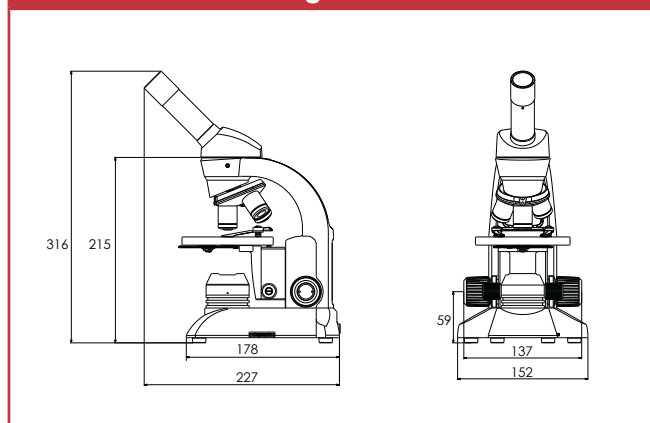
Designed for maximum usage, both the BA50 and BA80's compact and split arm design plus corded LED illumination permits them to be easily transported from one classroom to the next or back to the storage cabinet. Furthermore, the LED illumination translates into maintenance cost savings from the lifespan of the LED bulb [thousands of hours versus a few hundred]. On a safety note, the LED illumination prevents those unforeseen illumination burns associated with extended operation times from other illumination sources.

- A Easy grip design to enhance easy handling of the microscopes within classrooms
- B Low position focusing control for a fatigue free operation is a unique feature within this class of microscopes
- C State-of-the-Art LED illumination from Motic provide a stable, comfortable and trouble free illumination
- D Patented 1-touch stage clip enables easy change of slides
- E Inward facing nosepiece provides maximum operating space

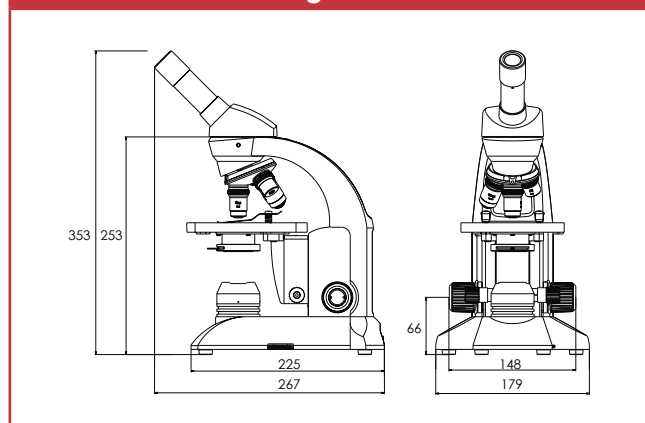


Model	BA50	BA80
Optical System	185mm Focal Length	DIN standard
Observation Tube	45° inclined Monocular (F.N.18)	45° inclined Monocular (F.N.18)
Eyepieces	WF10X/18mm; WF15X/12mm; H5X/14.5mm; H15X/8mm	WF10X/18mm; WF15X/12mm; H5X/14.5mm
Micrometer Eyepieces	Graduated linear line, point = 0.1mm/10mm [WF10X/18mm]	Graduated linear line, point = 0.1mm/10mm [WF10X/18mm]
Nosepiece	Reversed triple	Reversed triple or quadruple
Condenser/Stage	Fixed stage with rotary disc diaphragm; Gliding stage with rotary disc diaphragm	Fixed stage with N.A. 0.65 condenser with iris diaphragm; Fixed stage with Abbe condenser with iris diaphragm; Mechanical stage with Abbe condenser with iris diaphragm
Focus	Separate coarse and fine focus	Separate coarse and fine focus
Illumination	70mW/3.5V LED with intensity control	70mW/3.5V LED with intensity control
Objectives	Achromat 4X/0.10 Achromat 10X/0.25 Achromat 40X/0.65	Achromat objective [DIN] EA 4X/0.10 Achromat objective [DIN] EA 10X/0.25 Achromat objective [DIN] EA 20X/0.40 Achromat objective [DIN] EA 40X/0.65/S Achromat objective [DIN] EA 60X/0.85/S Achromat objective [DIN] EA 100X/1.25/S-Oil

BA50 Schematic Diagram



BA80 Schematic Diagram



Motic®

www.motic.com

Motic Incorporation Ltd. (HONG KONG)

Rm 2907-8, Windsor House, 311 Gloucester Road, Causeway Bay, Hong Kong
Tel: 852-2837 0888 Fax: 852-2882 2792

Motic Instruments Inc. (CANADA)

130-4611 Viking Way Richmond, B.C. V6V 2L4 Canada
Tel: 1-877-977 4717 Fax: 1-604-303 9043

Motic Deutschland GmbH (GERMANY)

Christian-Kremp-Strasse 11, D-35578 Wetzlar, Germany
Tel: 49-6441-210 010 Fax: 49-6441-210 0122

Motic Spain, S.L. (SPAIN)

Polígono Industrial Les Corts, Camí del Míg, 112 08349 Cabrera de Mar, Barcelona Spain
Tel: 34-93-756 6286 Fax: 34-93-756 6287

Motic Incorporation Limited Copyright © 2002-2009. All Rights Reserved.

Design Change : The manufacturer reserves the right to make changes in instrument design in accordance with scientific and mechanical progress, without notice and without obligation.



Code No.: 1300901303081

200908 Updated